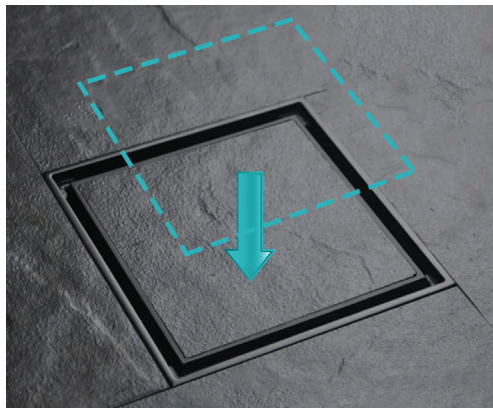
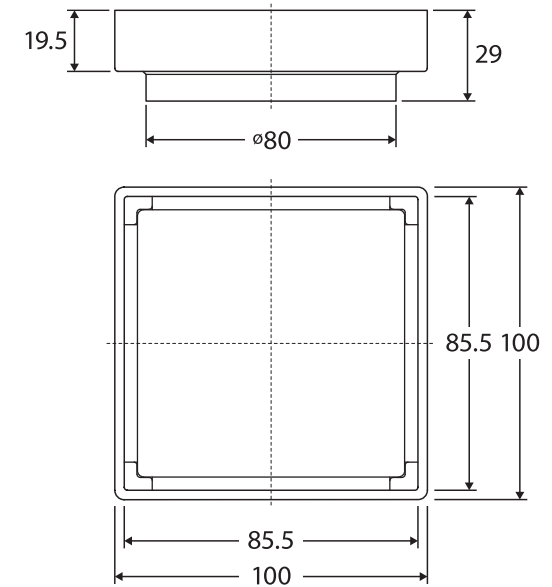
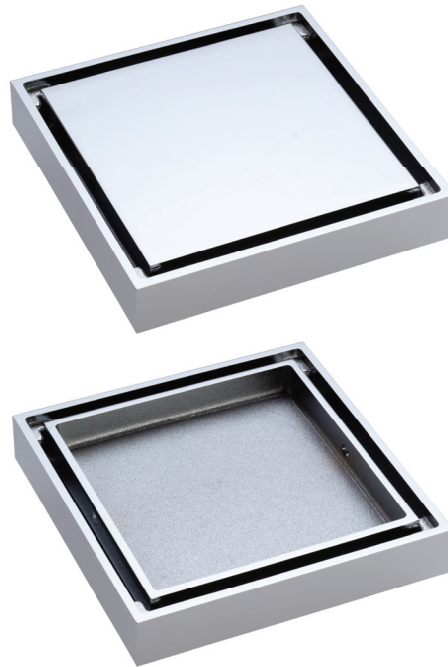


Square 2-IN-1 TILE BED FLOOR WASTE

Features

This reversible 2-in-1 floor waste allows greater design flexibility with the option of using the included traditional waste cover, or the tile bed insert to provide a seamless look with your chosen floor tiles.

- 80 mm outlet
- Made from solid brass
- Electroplated finishes



Available in



Cleaning & Care

- Regularly clean with mild soapy water using a microfibre cloth.
- In highly polluted or coastal locations, we recommend cleaning 2-3 times per week.
- Do not use harsh detergents, bleach, cream cleaners or citrus based cleaners. These substances are abrasive and will damage the surface.
- Do not use undue pressure and wipe in one direction only.

While we aim to ensure specifications are correct at the time of publication, Fienza reserves the right to make modifications without prior notice. Physical colour may vary from image shown. All measurements are shown in millimetres. Always use physical product measurements for mark-ups and roughing-in as the technical drawing may differ from actual product received.